



Benner-Nawman, Inc.

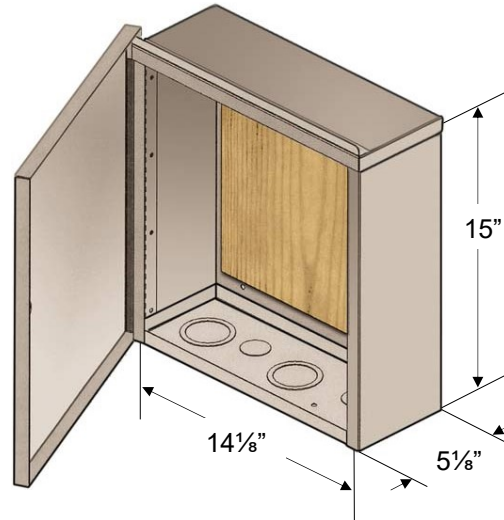
3450 Sabin Brown Road • Wickenburg, AZ 85390

(800) 992-3833 • (928) 684-2813 • www.bnproducts.com

Specification Sheet

Part #
14155W-UL

Interior Dimensions:
14 $\frac{1}{8}$ " Wide x 15" Tall x 5 $\frac{1}{8}$ " Deep



Features & Info:

- Includes 2 knockouts 2" - 2 $\frac{1}{2}$ " (for 1 $\frac{3}{4}$ " - 2 $\frac{1}{4}$ " conduit) & 3 knockouts 1 $\frac{3}{8}$ " (for 1 $\frac{1}{4}$ " conduit)
See Chart Below
- Includes a $\frac{3}{4}$ " plywood backboard & 4-position, #4-14 wire ground bar mounted inside
- Made of 16-gauge(door) & 18-gauge(body), zinc-coated steel (powder coat tan finish)
- Optional brackets are available for recessed application (shown on right)
- Reinforced hinged lid with 7/16" recessed hex latch
- No markings on the cover, labels are available
- UL-Listed (UL1863), designed to NEMA 3R
- Box weight: 18 lbs.

